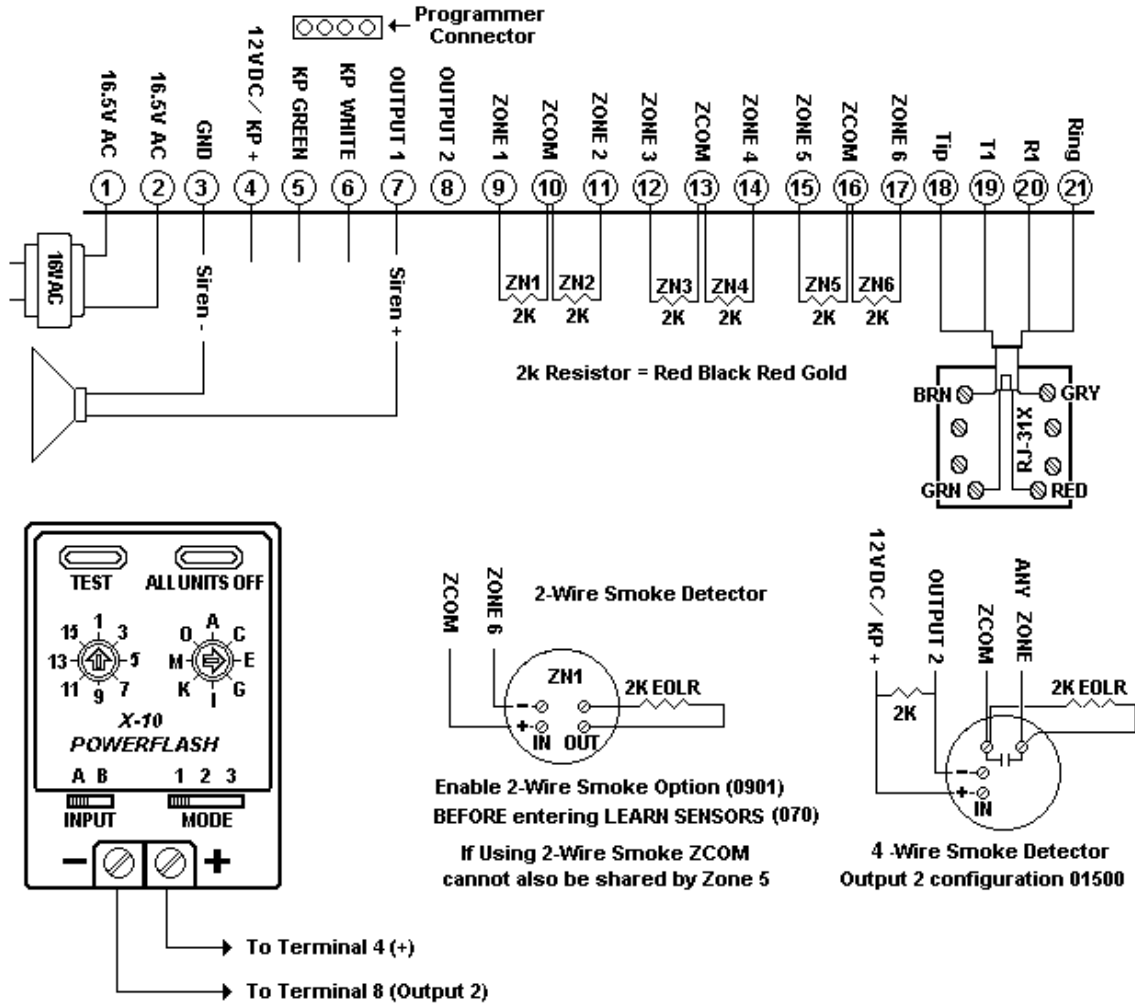


X-10 with the ITI Concord Express

Equipment Needed

- 1 PF284 X-10 PowerFlash Module
- 1 PLM01 X-10 Lamp Module (if controlling lights only)
- 1 PUM01 X-10 Universal Module (if controlling a garage door)
- 1 SH10A X-10 PowerHorn (if controlling an interior Siren)

Wiring



Setup

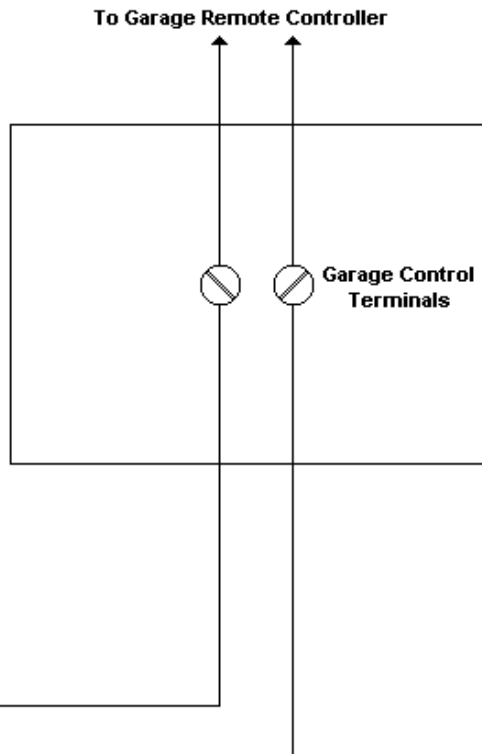
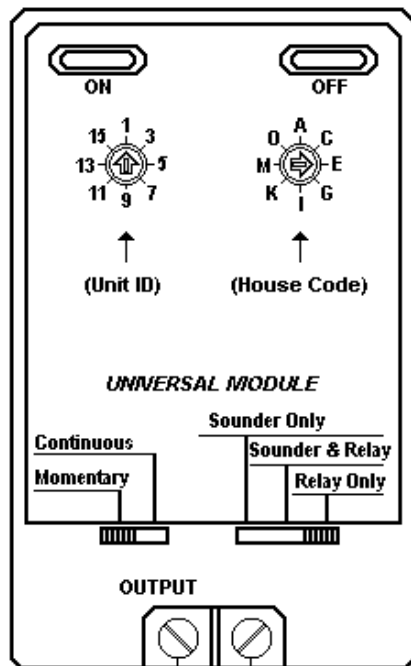
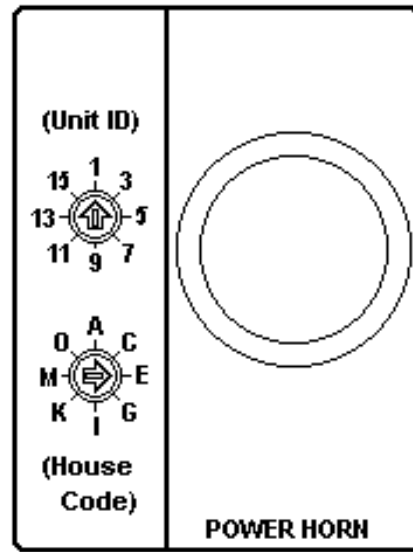
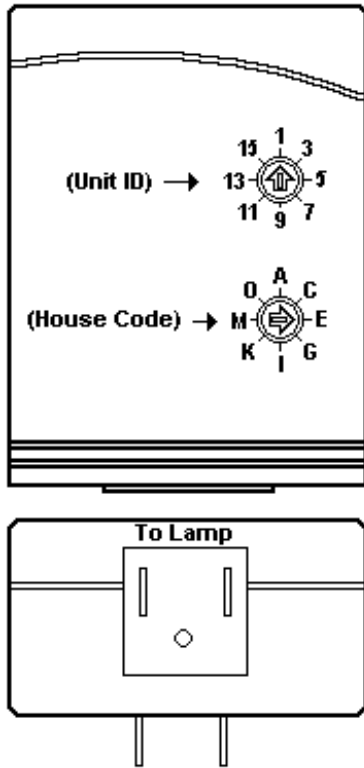
1. Leave PowerFlash module A and Mode switch set to 1
2. Set dials to anything you want but both PowerFlash and Lamp / Universal / Siren Module must match

Concord Express Programming

1. Go to Programming Shortcut 09110 (Output 2 Configuration) and set it to the following
 - 00402 if using Lamp Module, this triggers Lamp Module for 3 minutes in an alarm
 - or
 - 01400 which allows Garage door opening/closing by pressing * on Keyfobs (Note: Shortcut 0404 (Star is No Delay) must be OFF or this will not work)
 - or
 - 01702 which triggers PowerHorn to sound for length of Siren Timeout
 - or
 - 01401 which turns lights on for 3 minutes by pressing * on Keyfobs

Unfortunately the Concord Express has no programming to toggle lights on and off and cannot do any other automation, 4-wire smoke detectors cannot be used with this setup since Output 2 is being used for this

X-10 Devices



PLUG INTO OUTLET IN GARAGE

SET SLIDER SWITCHES TO MOMENTARY AND RELAY ONLY